

Diagram 1.

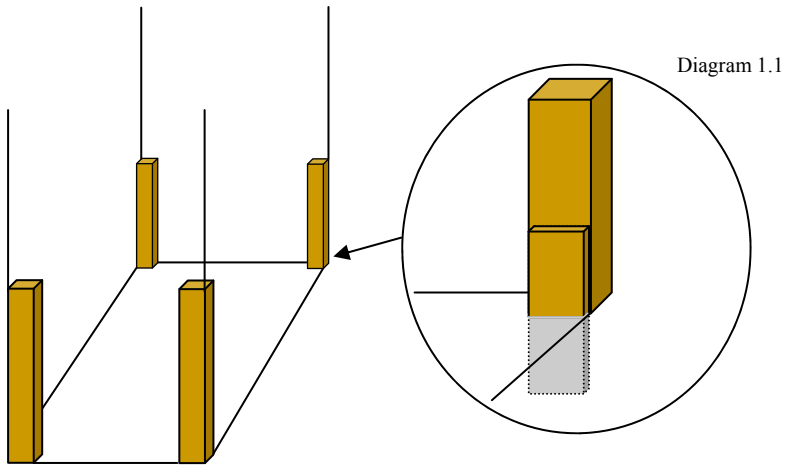


Diagram 2.

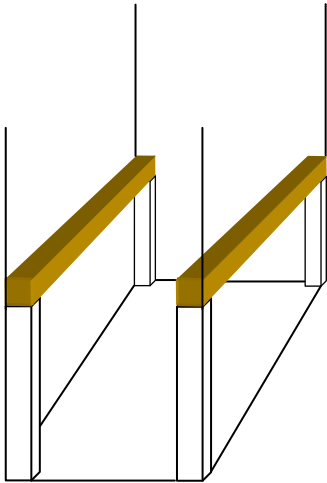


Diagram 3.

